

HOSE KIT

307100301 INSTRUCTIONS

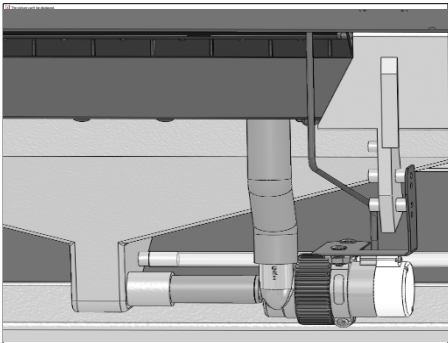
GBR02087 HOSE KIT

Immerse hoses in warm water before installation

When replacing amber surgical tubing with clear tubing, do not install the spring in the pump hose.

Tube may need to be shortened to insure proper positioning of the control tank/tube.

Stock code	Qty per	Description
303107018 3/4"- ID X 1.0"-OD X 6.0"- L	1 per	TUBE-PUMP OUTLET OLD ICE MAKER
303138501 3/4"-ID X 1/2"-OD X 8.04"- L	1 per	TUBE-CONTROL STREAM DRAIN ALL ICE MAKER
505103307 1.125"-ID X 1.31"-OD X 3.75"- L	1 per	PUMP INLET TUBE OLD ICE MAKER
505103308 .375" - ID X .625"- OD X 7.0" - L	1 per	WATER VALVE OUTLET TUBE OLD ICE MAKER GB1064
505103309 .437" - ID X .562" -OD X 9.50" - L	1 per	WATER LEVEL TUBE DUAL FLOAT
505103310 .437" - ID X .562" -OD X 12.00" - L	1 per	WATER LEVEL TUBE TOP PLATE OF GB1064 CONTROL STREAM TO WATER TANK
505103303 .437" X .562" -OD X 8.50" - L	1 per	WATER LEVEL TUBE PROBE & SINGLE FLOAT
303142101 3/4" - ID X 1.0" -OD X 2.25" - L	1 per	WATER PUMP INLET (GRI) See Picture
303142201 3/4" - ID X 1.0" -OD X 5.75" - L	1 per	WATER PUMP OUTLET (GRI)
307100301	1 per	INSTRUCTIONS



GRI WATER PUMP

Insert new hoses, short hose will go inside the tank and outside of pump inlet.

Nickel Safe Ice Machine Cleaner (KDI part #500019)